

MANIFOLDS & WELDMENTS

STANDARD CONNECTIONS AND UNIONS

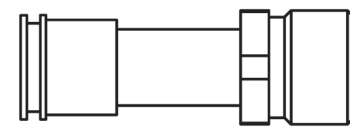
REMARKS



FT1608

FT1401

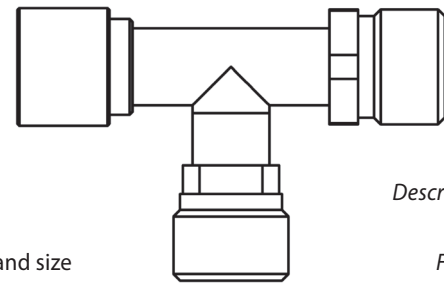
Description: Straight Tube Assembly
Material: CRES
Feature: Custom end fittings, length, and size



FT1437

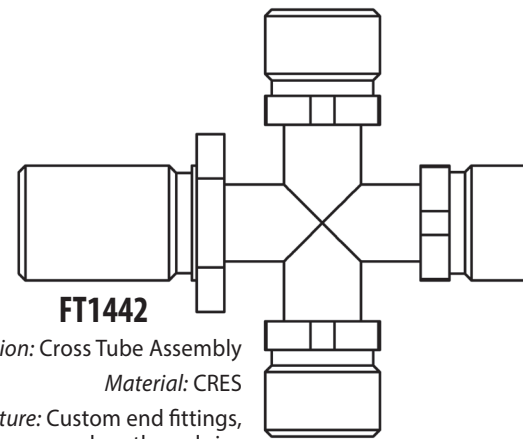
Description: Tee Assembly
Material: CRES

Feature: Custom end fittings, length, and size



FT1442

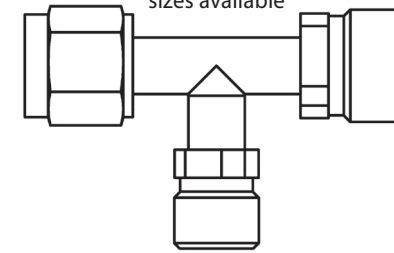
Description: Cross Tube Assembly
Material: CRES
Feature: Custom end fittings, length, and size



FT1601

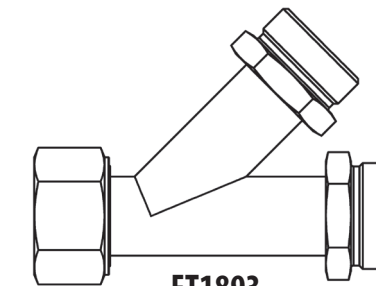
Description: Tee Assembly
Material: CRES

Feature: Custom end fittings with jump sizes available



FT1893

Description: "Wye" Fitting Assembly
Material: CRES
Feature: Custom end fittings, length, size, and angles



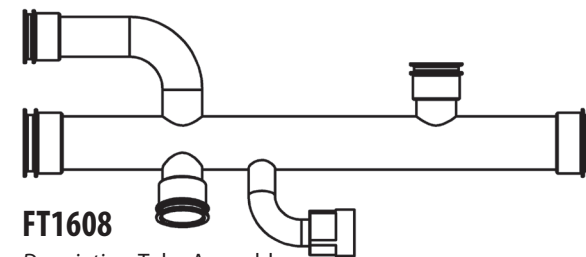
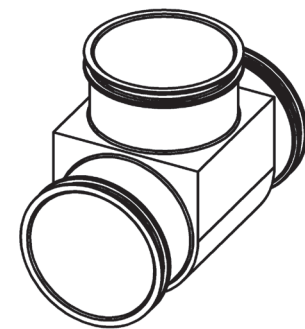
Hydraflow's manifolds come with a variety of aerospace standard end fittings, many of which are available in reducer and expander configurations. We offer length, size, and end fitting customization based on customer's requirements or application.

CUSTOM CONNECTIONS

REMARKS

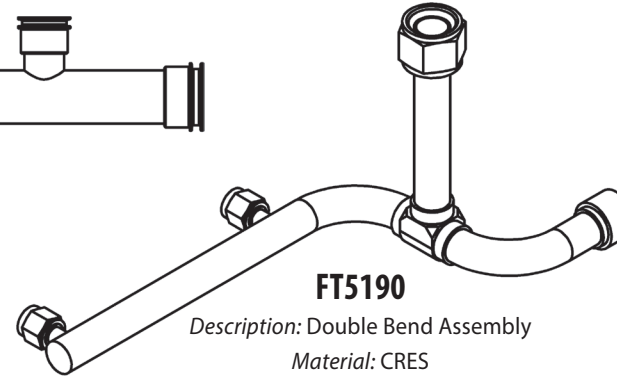
LC010

Description: Tee
Material: Aluminum, CRES
Feature: Varied size for each end



FT1608

Description: Tube Assembly
Material: CRES
Feature: Custom end fittings
Port locations per requirements

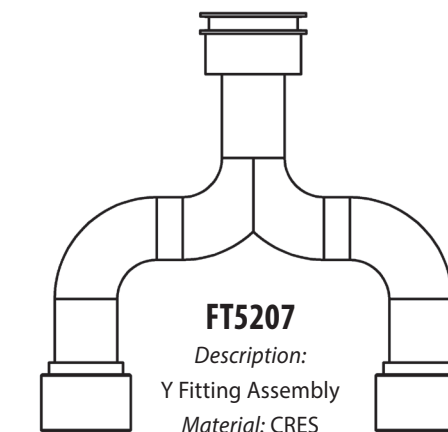
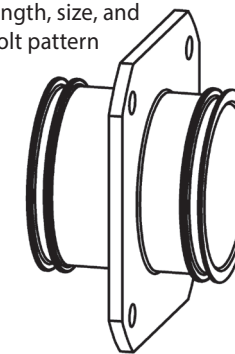


FT5190

Description: Double Bend Assembly
Material: CRES
Feature: Custom bends, port locations, and port sizes

LC1215

Description: Flange Bulkhead
Material: Aluminum, CRES
Feature: Custom end fittings, length, size, and bolt pattern



FT5207

Description: Y Fitting Assembly
Material: CRES
Feature: Custom flow path

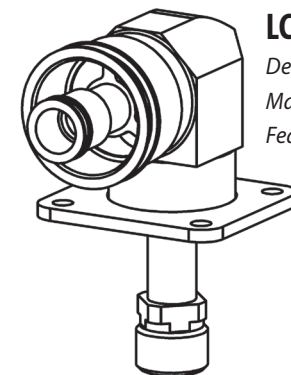
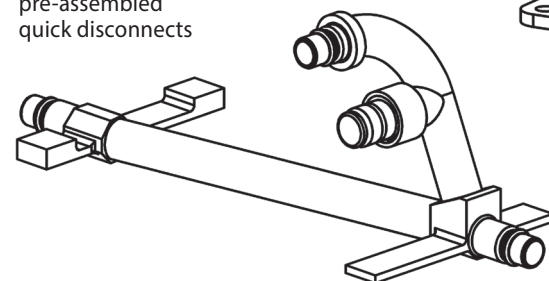
Hydraflow's design and manufacturing expertise enables customers to order components tailored to their specific, low-pressure applications – including multi-plane tube bending, custom flow paths, port placement, and bulkhead retention method.

INTEGRATED SOLUTIONS

REMARKS

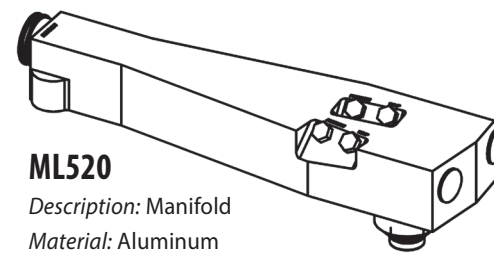
FT1814

Description: Manifold
Material: Aluminum
Feature: Custom mounting bracket, pre-assembled quick disconnects



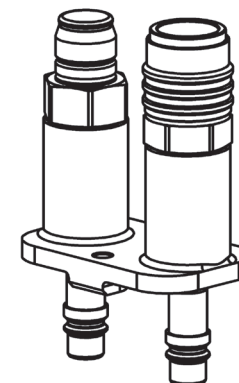
LC650

Description: 90° Shroud Assembly
Material: Aluminum
Feature: Custom mounting bracket with inner and outer flow paths



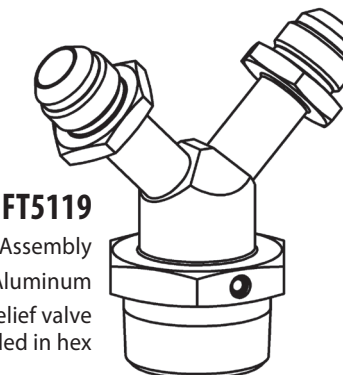
ML520

Description: Manifold
Material: Aluminum
Feature: Custom flow paths, ports, and marking



ML617

Description: Feed Thru Manifold
Material: Aluminum
Feature: Pre-assembled quick disconnect, pre-installed helicoil inserts



FT5119

Description: Y Fitting Assembly
Material: Aluminum
Feature: Thermal relief valve embedded in hex



FT1655

Hydraflow can integrate technologies such as dry break quick disconnects, thermal relief valves, flexible hoses, and anti-freezing protection features into our manifolds to provide complete application solutions. This approach enhances efficiency and reduces weight, bill of materials, and costs for our customers.